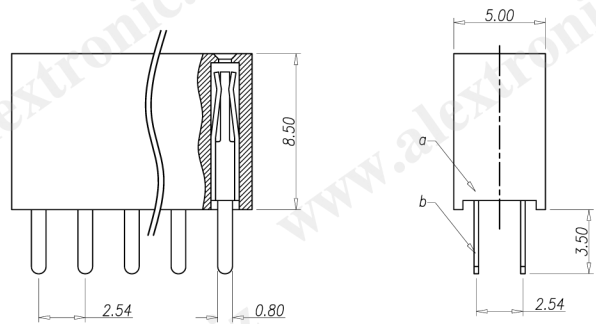
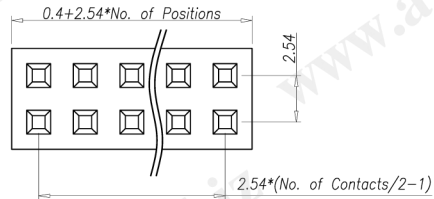


| CATEGORY | DESCRIPTION | P/N # |
|-----------|--------------------------------|-------------------|
| CONNECTOR | 2.54mm FEMALE HEADER, V/A, T/H | PHH30V-XX0X0-0092 |

料號由PHH30V-XX070-0092
變更為PHH30V-XX0X0-0092



| REV. | ECN NO | DESCRIPTION | REVISED | DATE |
|------|--------------|-------------|---------|------------|
| A01 | | New Release | Luguan | 2009.07.28 |
| A02 | ECN090928002 | 新增材料與變更料號 | Luguan | 2009.09.28 |

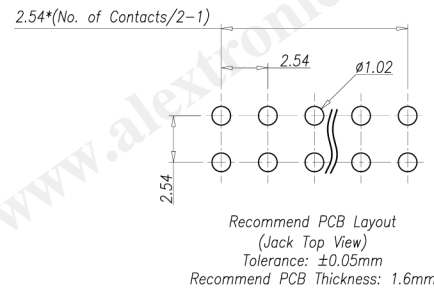
SPECIFICATION
 1. CURRENT RATING : 3 Amp MAX.
 2. DIELECTRIC WITHSTANDING VOLTAGE : AC 500V
 3. INSULATION RESISTANCE: 1000MΩ MIN.
 4. OPERATING TEMPERATURE : -40° C TO +105° C

PART NO.:
PHH30V-XX0X0-0092

Material & Plating
Table 1

| X | Housing Material |
|---|------------------|
| 6 | PBT UL94V-0 |
| 7 | PA6T UL94V-0 |

Terminal Q'TY: 04~80



Product Drawing
ALEXTRONIC

| NO. | PART NAME | Q'TY | MATERIAL | PLATING & COLOR | Remark |
|-----|-----------|------|-----------------|--------------------|--------|
| b | Terminal | XX | Brass, T=0.25mm | Gold Flash Plating | |
| a | Housing | 1 | See Table 1 | Black | |

See PART NO.

| | | | |
|---|-------------------------------|-----------------------|-----------------------|
| UNLESS OTHERWISE SPECIFIED TOLERANCES | SCALE:1/1 | UNIT: mm | DWG.NO: WI-061-585 |
| SIZE: A3 | PAGE:1 OF 1 | REV:A02 | |
| DECIMALS: X :±0.5 X.X :±0.3 X.XX :±0.2 | ANGLES: X :±2° X.X :±1° | APPROVED BY WYX | CHECKED BY Pengjie |
| | | PREPARED BY Luguan | |
| CUSTOMER COPY | | | |